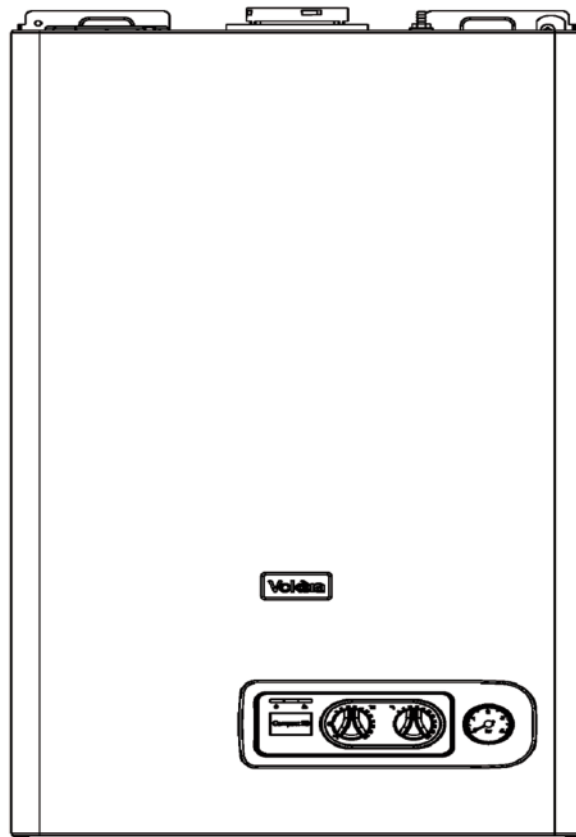


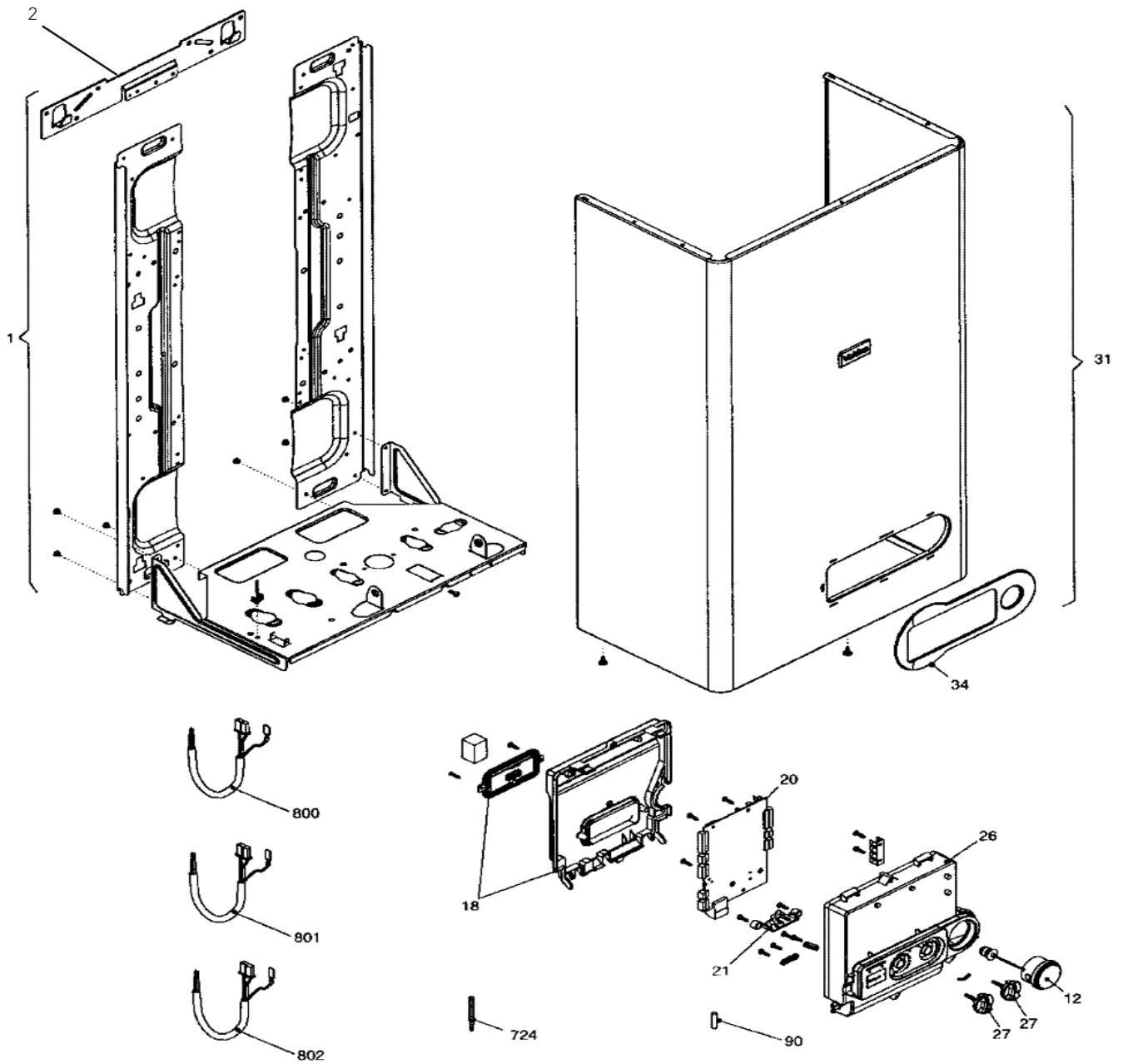
Compact 29A

Product code: 20020832
GC Number: 4736402



Controls and Accessories	Part Number	Controls and Accessories	Part Number
MECHANICAL CLOCK & VALVE KIT	20025085	24 HOUR RF CLOCK-STAT	20026728
CONVERSION KIT LPG - NG	20029043	CONVERSION KIT NG - LPG	01005446
HORIZONTAL FLUE TERMINIAL	29450120	VERTICAL FLUE TERMINIAL	29450122

Electric/Case Components



Position	Description	Part Number
1	FRAME ASSEMBLY	20011411
2	HANGING BRACKET	20017785
12	QUICK PRIMER PRESSURE GAUGE	20005580
18	CONTROL PANEL COVER	20026055
20	MAIN PRINTED CIRCUIT BOARD	20025735
21	LED LIGHT GUIDE	20013352
26	INSTRUMENTAL PANEL	20026080
27	KNOB	20013055

Position	Description	Part Number
31	CASE ASSEMBLY	20048322
34	FIXING FLANGE	20026728
90	3 AMP FUSE	3478
724	NUT SCREW	2455
800	CN2 TO M3 MAINS CONNECTION, CLOCK	20035405
	HARNESS, PUMP & GAS VALVE	
801	LOW TENSION CABLE	20025734
802	3 CORE FLY LEAD	1547

Hydraulic Components 1

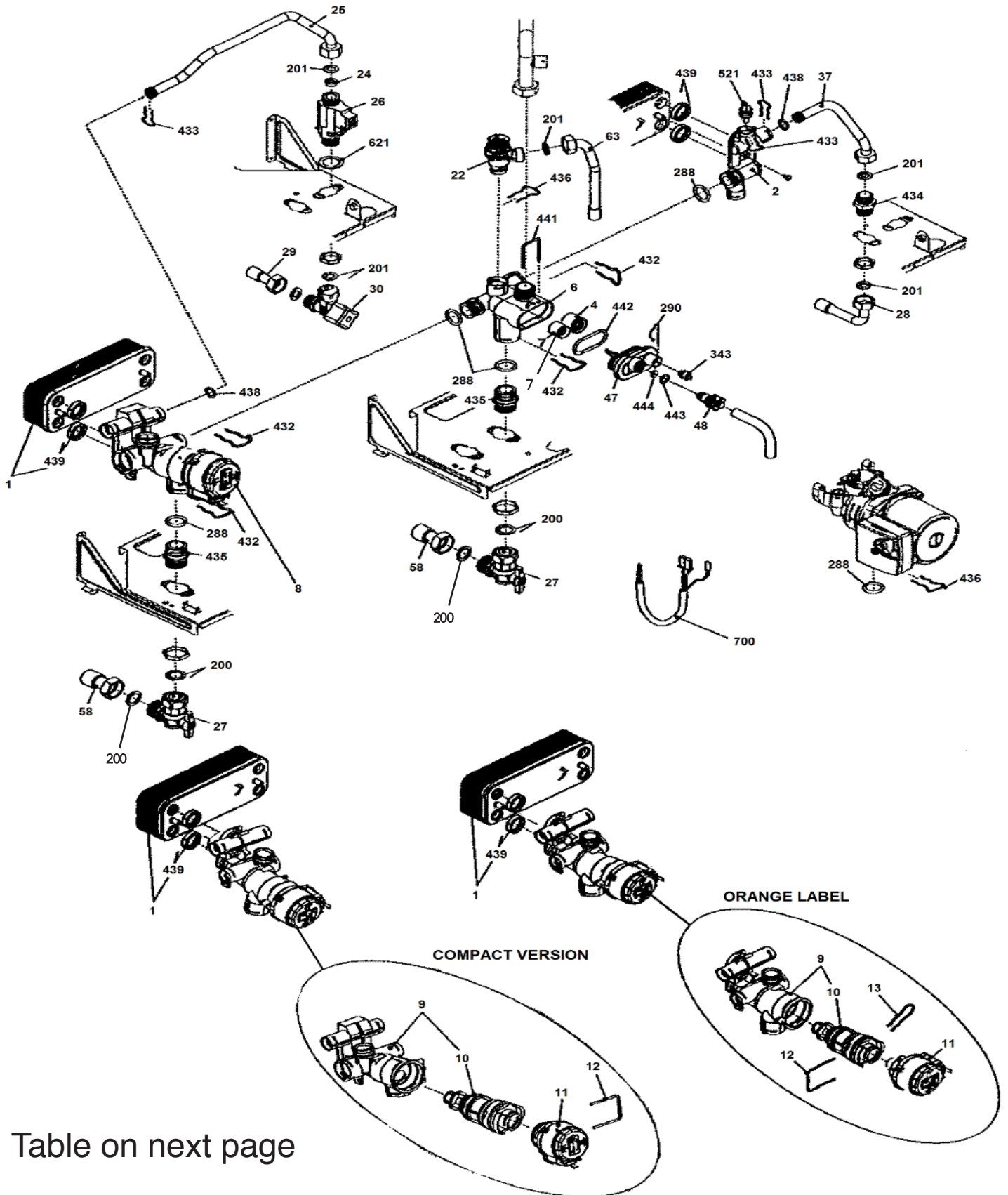


Table on next page

The Compact Version of the boiler can be identified by only having one square locking pin on the manifold (position 12)

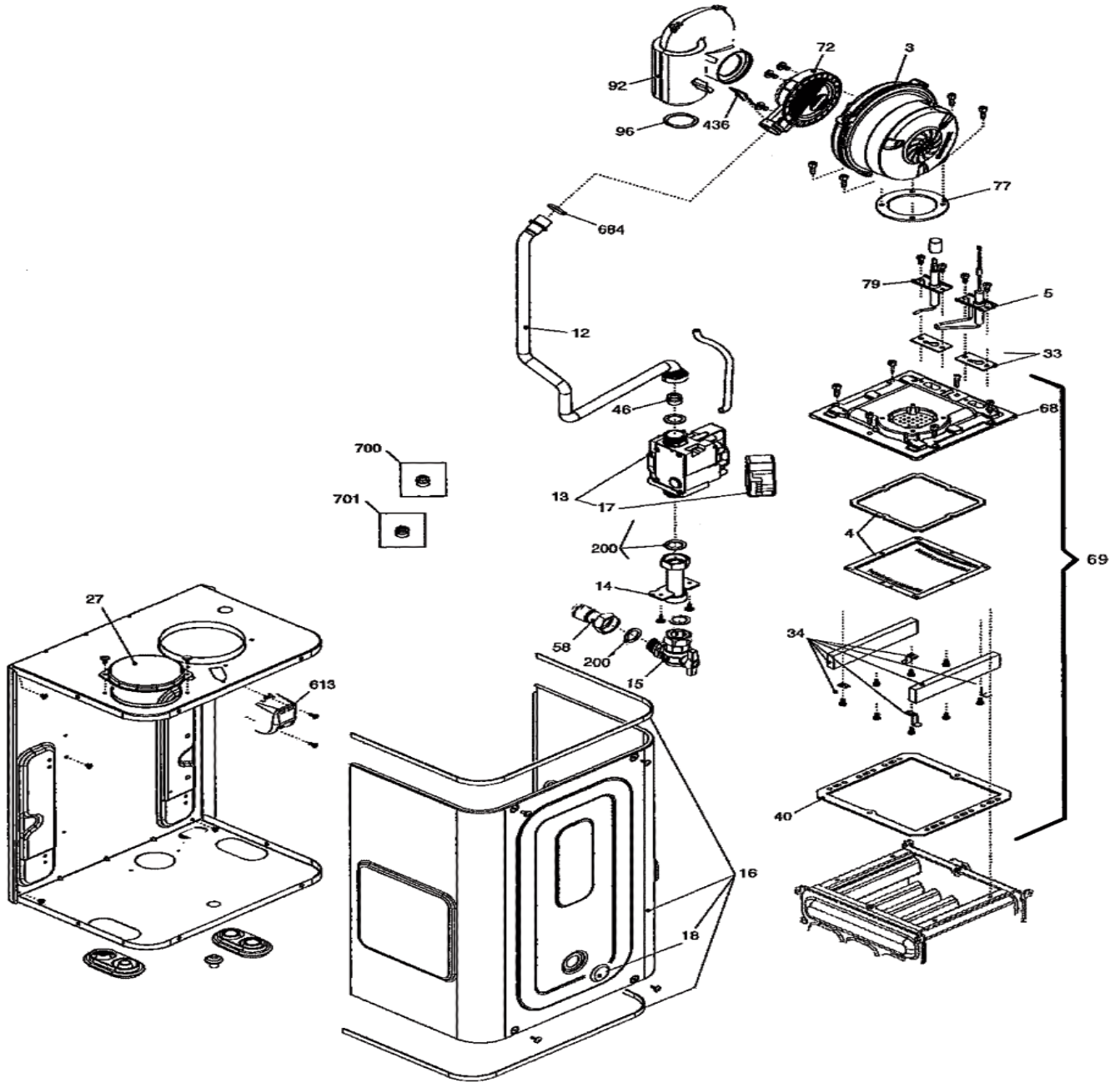
The Orange Label version can be identified by having two locking pins on the manifold, one square (Position 12) and one curved (Position 13)

The Compact version will be phased out so you can change the complete assembly over to the Orange label version by ordering 20034037 (Position 8)

Hydraulic Components 1 - Table

Position	Description	Part Number
1	DHW HEAT EXCHANGER	8036
2	CONNECTION	10030114
4	NON RETURN VALVE	10025056
6	BY-PASS CASING	10024641
7	HEATING BY-PASS VALVE	1552
8	3-WAY HTG VALVE, CARTRIDGE & MOTORIZED VALVE COMBINED ORANGE LABEL (CAN BE USED TO REPLACE COMPACT VERSION)	20034037
9	3-WAY HTG MANIFOLD & CARTRIDGE (COMPACT VERSION)	20021496
9	3-WAY HTG MANIFOLD & CARTRIDGE (ORANGE LABEL VERSION)	10026508
10	CARTRIDGE (COMPACT VERSION)	20043594
10	CARTRIDGE (ORANGE LABEL VERSION)	10025305
11	ACTUATOR (COMPACT VERSION)	20017594
11	ACTUATOR (ORANGE LABEL VERSION)	20024841
12	LOCKING PIN / CLIP	10025450
13	SQUARE LOCKING PIN (COMPACT VERSION)	20017598
13	CURVED LOCKING PIN (ORANGE LABEL VERSION)	10025449
22	SAFETY VALVE	20043820
24	FLOW GOVERNOR (WHITE)	10026043
25	PIPE	20011423
26	DHW ACTUATOR	10022349
27	3/4 INCH HEAT WATER COCK	1592
28	PIPE	20025758
29	PIPE	20025756
30	WATER SUPPLY STOP COCK	1888
37	PIPE	10025840
47	COVER FOR BY-PASS ASSEMBLY	10024643
48	COCK / DISCHARGE VALVE	10024646
58	PIPE	20025757
63	PIPE	20025755
200	WASHER	5023
201	WASHER	5026
288	O-RING	6898
290	LOCKING PIN	2165
343	PUMP PLUG	2216
432	LOCKING PIN	10024958
433	LOCKING PIN	10024986
434	NIPPLE	10024985
435	FITTING/UNION	10025059
436	LOCKING PIN	10025062
438	O-RING	10024988
439	WASHER	10025067
441	LOCKING PIN	10025063
442	O-RING	10025065
443	O-RING	10025064
444	WASHER	10025066
521	THERMISTOR / NTC SENSOR	10027351
621	WASHER	5038
700	CN4 TO DIVERTER ACTUATOR	20017596

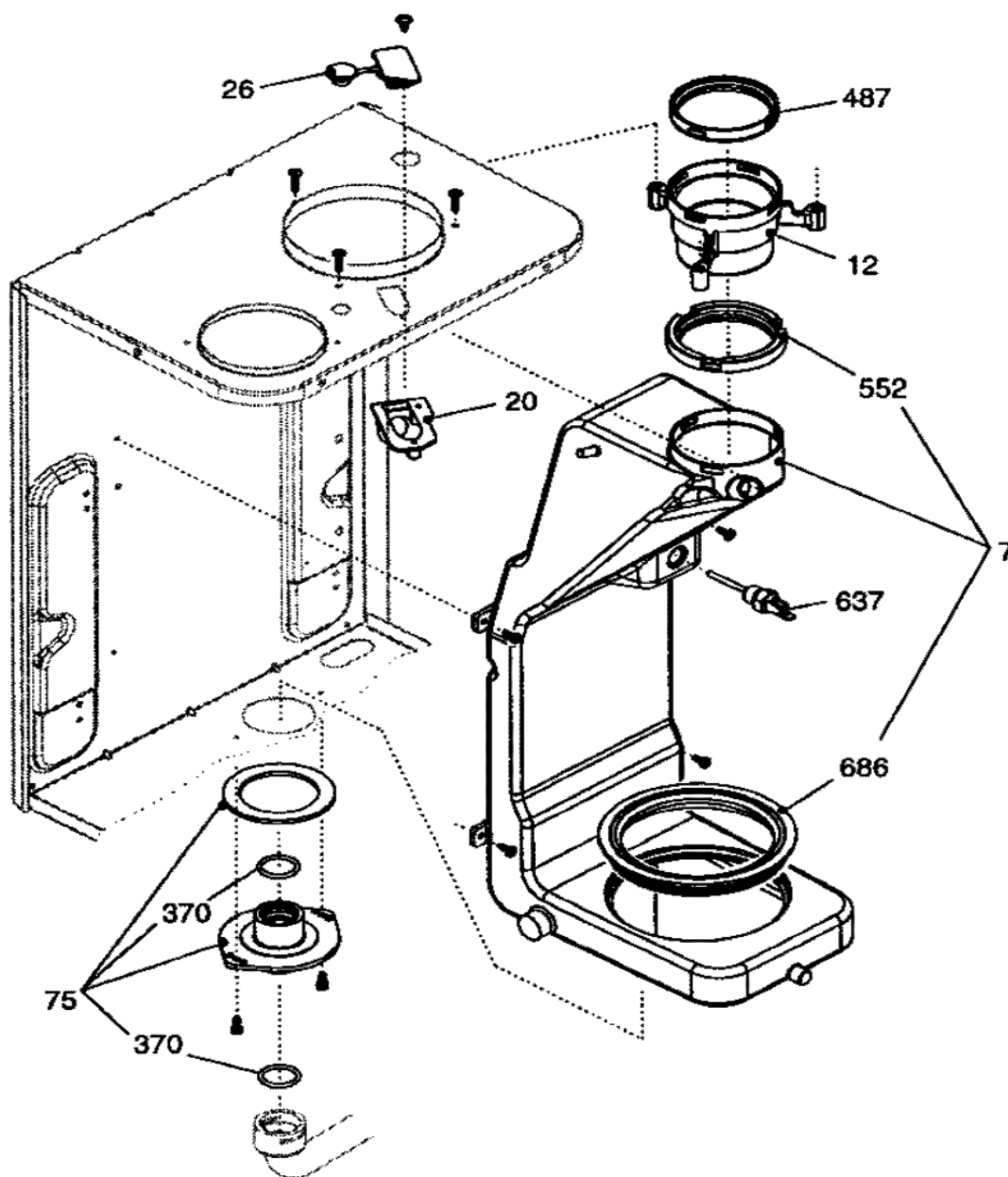
Burner Components - Air Box



Position	Description	Part Number
3	FAN	20002995
4	BURNER ASSEMBLY	20044896
5	IGNITION ELECTRODE	20025737
12	PIPE	20025745
13	GAS VALVE	20039202
14	GAS PIPE	20005553
15	3/4 INCH GAS COCK	2266
16	COMBUSTION CHAMBER COVER	20005594
17	GAS VALVE SOLENOID	20040675
18	PLUG	20005550
27	HOLE COVER	20005586
33	SEAL IGNITION ELECTRODE	20025740
34	INSULATOR PANEL ASSEMBLY	20044890
40	WASHER	20044894
46	NG JET	10023451

Position	Description	Part Number
58	PIPE	20025757
68	BURNER COVER	20044895
69	COMPLETE BURNER ASSEMBLY	20026061
72	MIXER	20025761
77	WASHER	20025753
79	ELECTRODE	20043523
92	SUCTION PIPE	20025760
96	DIAPHRAGM	20041473
200	WASHER	5023
436	LOCKING PIN	10025062
613	IGNITION TRANSFORMER	20001563
684	WASHER	20025747
700	LPG - NG CONVERSION KIT	20029052
701	NG - LPG CONVERSION KIT	20029055

Combustion Chamber Components - Flue Drain



Position	Description	Part Number
7	CONVERYOR	20026060
12	FLUE DRAIN CONNECTION	10028421
20	OUTLET NUT	20026049
26	PLUG	20026058
75	FLUE COLLECTOR	20026056
370	O-RING	10023533

Position	Description	Part Number
487	WASHER	10026345
552	WASHER	10028426
637	FLUE SENSOR	20007050
686	WASHER	20026059
700	CN1 TO IGN TRANSFORMER, CN3 TO FAN & CN11 TO FLOW & RTN VALVE	20025736