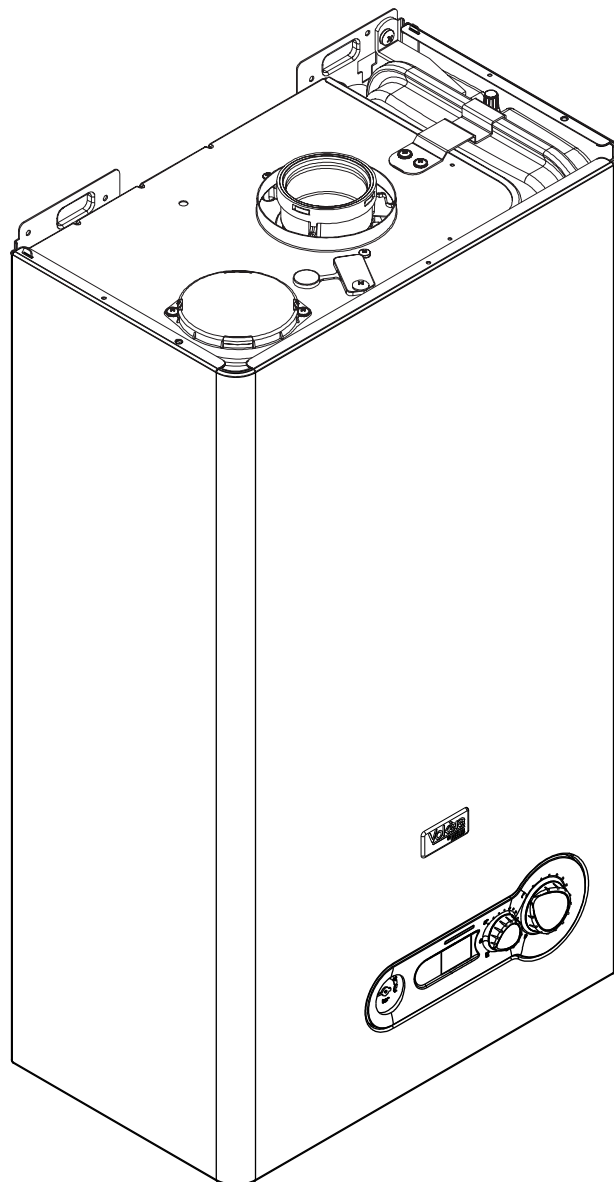
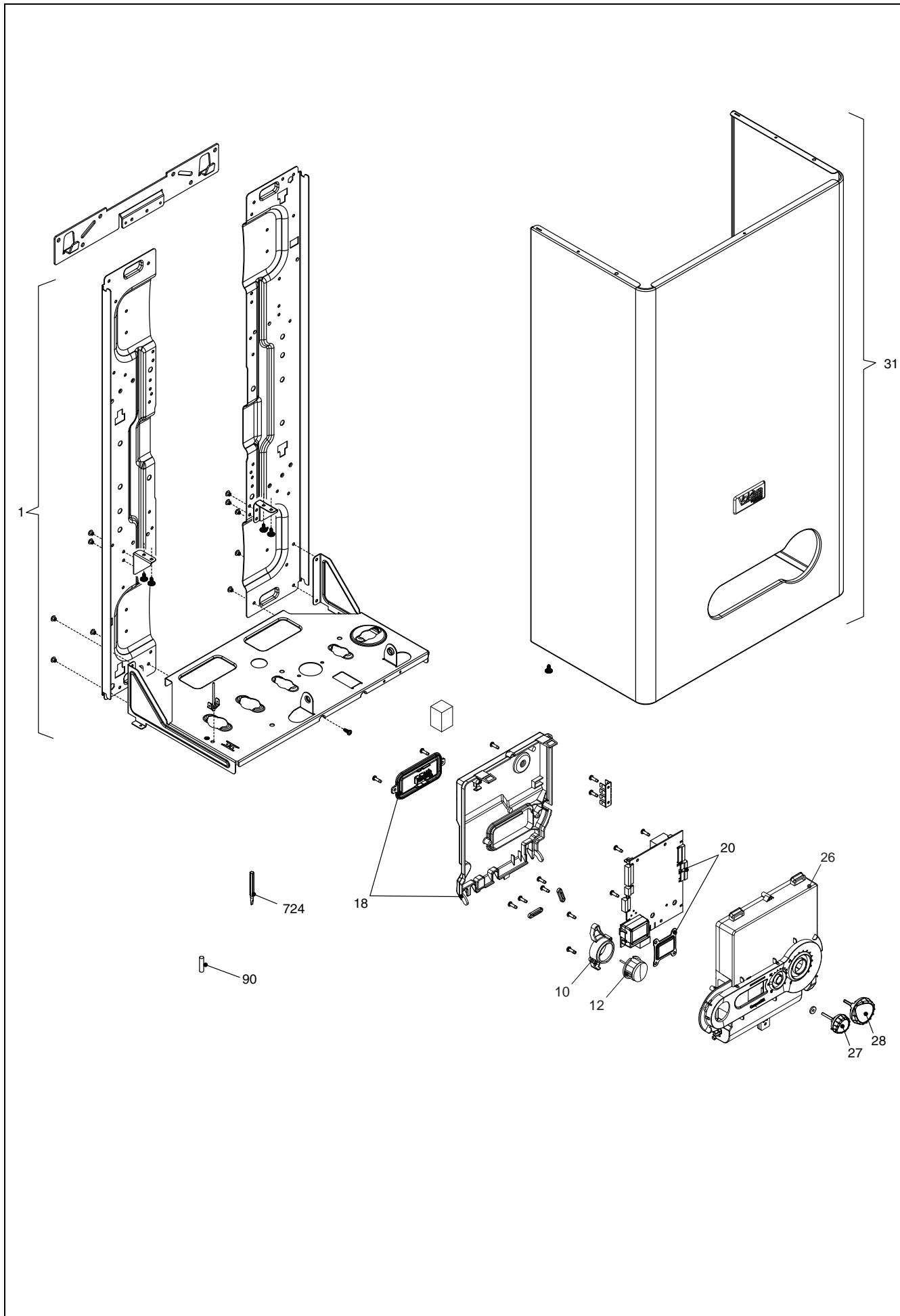


Wall hung boilers

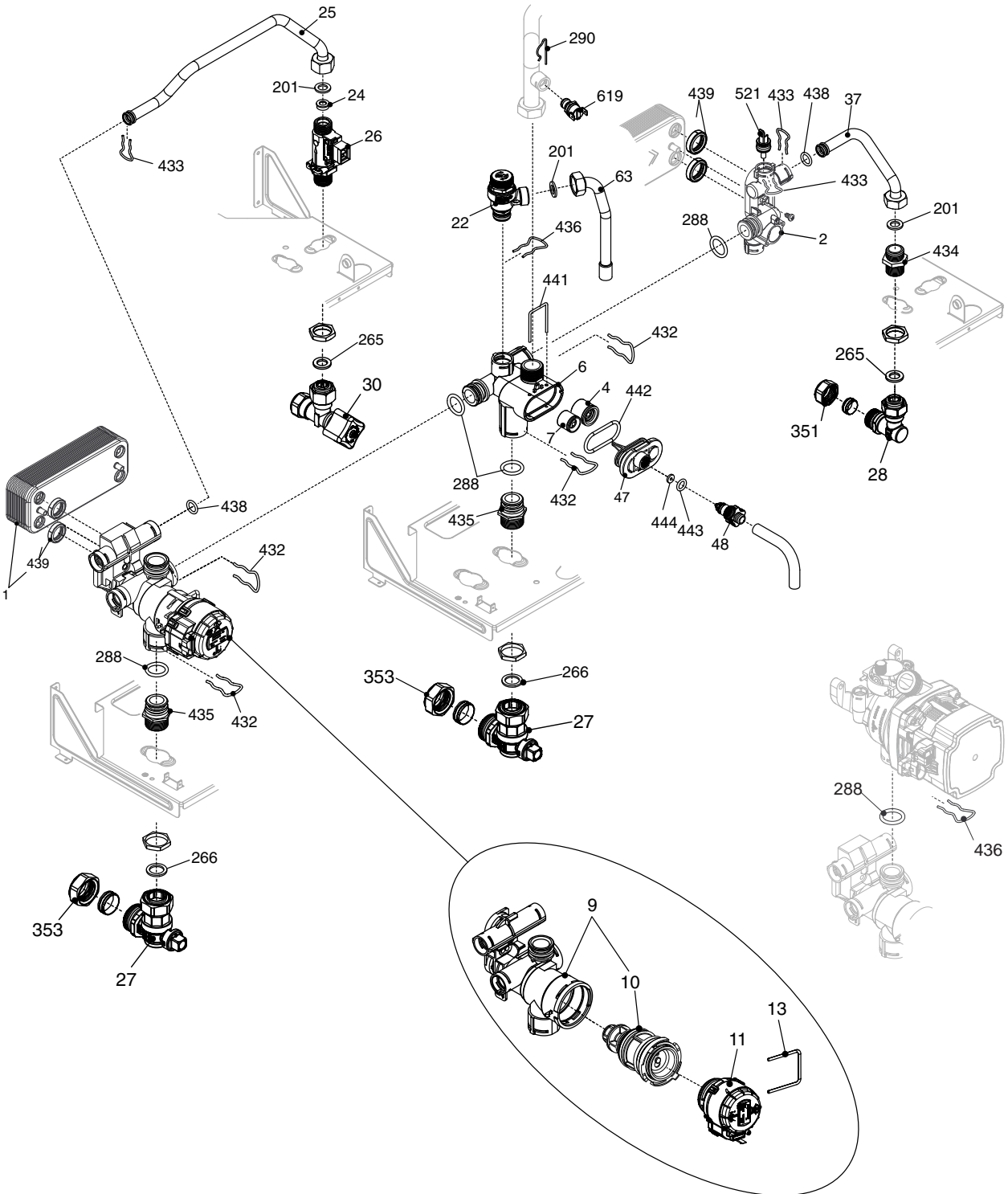
Compact 29 A



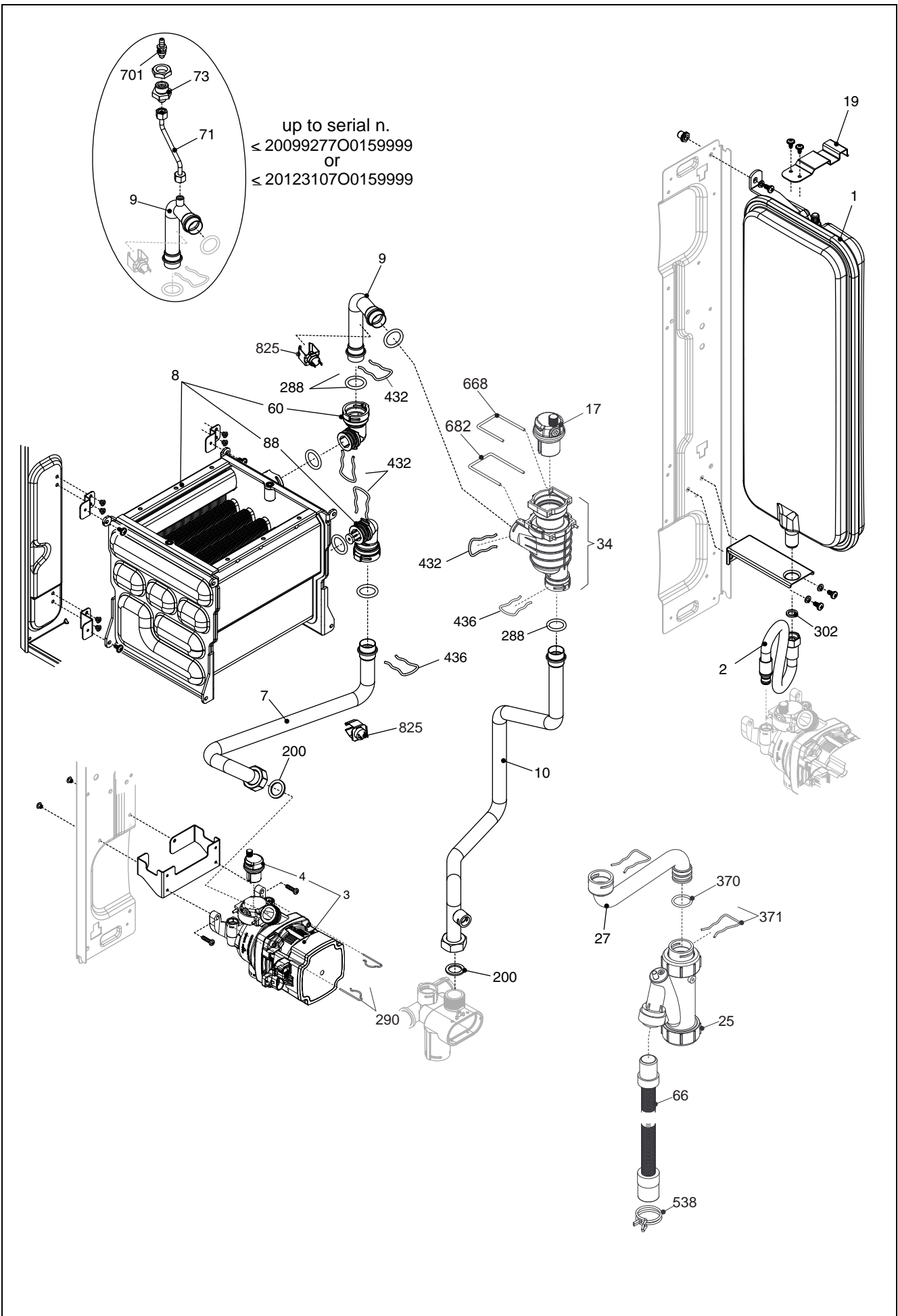
MODEL	PART NUMBER	
	MTN	GPL
Compact 29 A	20099227	20123107



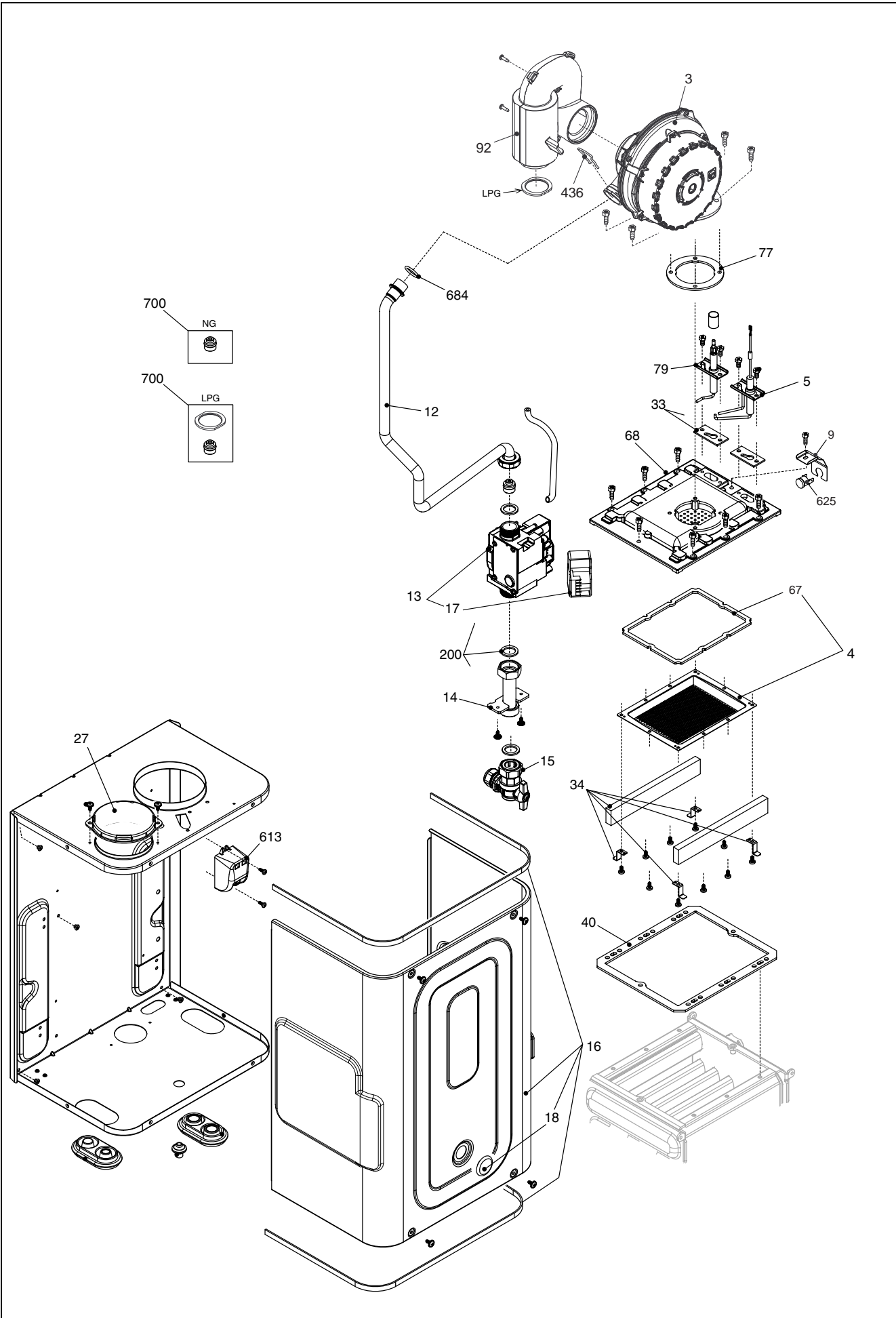
POS.	DESCRIPTION	29a
1	Frame assembly	20049618
10	Water gauge carrier	20101724
12	Pressure gauge	20141386
18	Control panel cover	20101178
20	Printed circuit board (up to serial n. ≤ 20099227N0650096 or 20123107N0650096)	20071334
20	Printed circuit board (from serial n. ≥ 20099227N0650097 or 20123107N0650097)	20145178
26	Instrumental panel	20101183
27	Knob	20057330
28	Knob	20059926
31	Case Assembly	20073523
90	Fuse	R3478
724	Calibration screwdriver	R2455



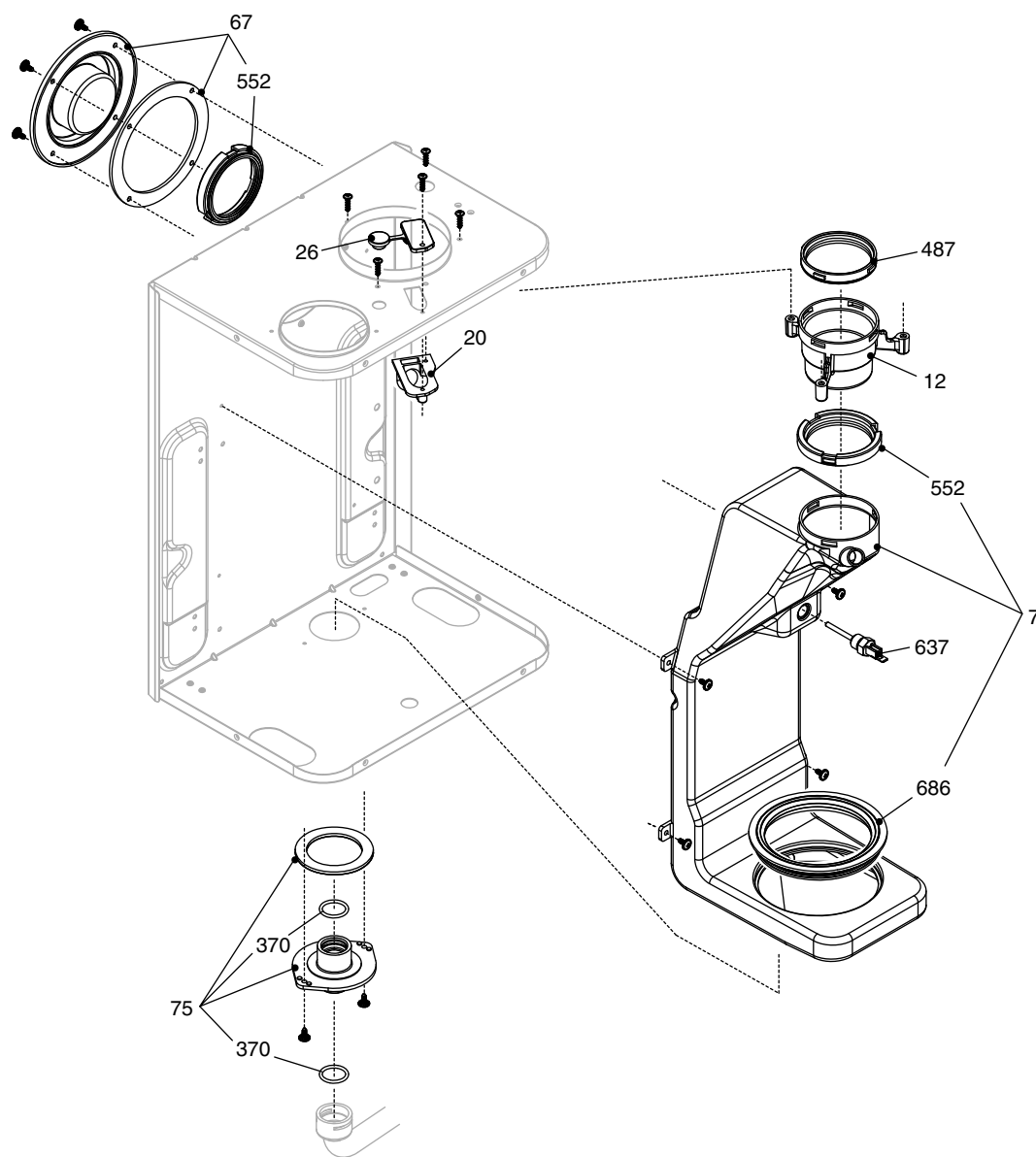
POS.	DESCRIPTION	29a
1	Exchanger	R8037
2	Connection	R10030114
4	Non return valve	R10025056
6	By-pass casing	R10024641
7	High head by-pass valve	R1552
9	3-way heating manif.+cartridge	20021496
10	Cartridge	20043594
11	Actuator	20017594
13	Clip	20017598
22	Safety valve	20043820
24	Flow governor	R10024987
25	Pipe	20011423
26	Dhw actuator	20073700
27	Heating cock	R1789
28	Connection	R1790
30	Water supply stop cock	R7099
37	Pipe	R10025840
47	Cover for by-pass assembly	20133375
48	Cock	R10024646
63	Pipe	20025755
201	Washer	R5026
265	Washer	R5236
266	Washer	R5237
288	O ring	R6898
290	Clip	R2165
351	Nut	R1823
353	Nut	R1824
432	Clip	R10024958
433	Clip	R10024986
434	Nipple	R10024985
435	Fitting/union	R10025059
436	Clip	R10025062
438	O ring	R10024988
439	Washer	R10025067
441	Clip	R10025063
442	O ring	R10025065
443	O ring	R10025064
444	Washer	R10025066
521	NTC sensor	R10027351
619	Pressure	20003181



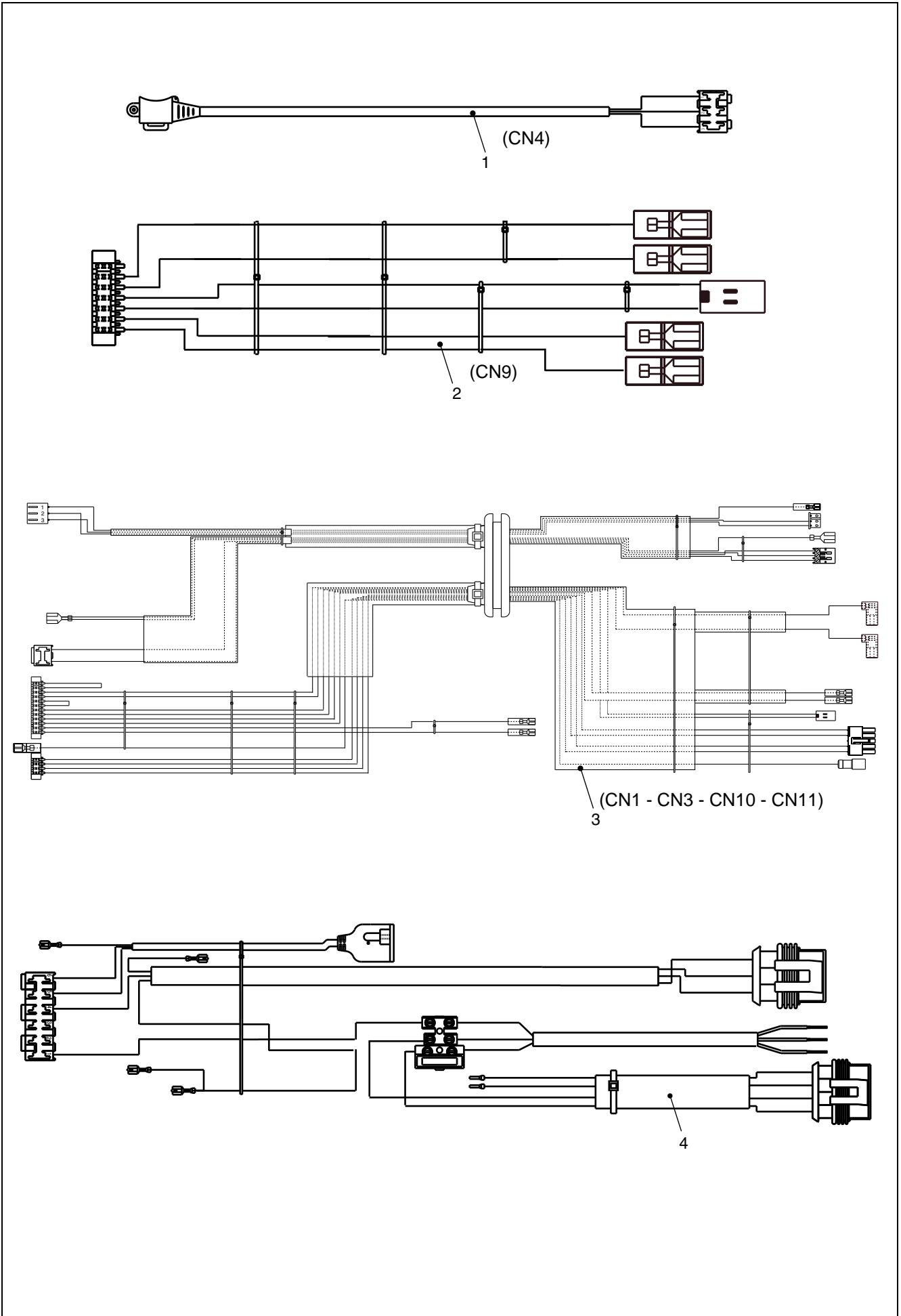
POS.	DESCRIPTION	29a
1	8 lt. expansion vessel	20138101
2	Pipe	R10028603
3	6m. pump	20136316
4	Air vent bottle	R10025485
7	Pipe	20137499
8	Condensing exchanger assembly	20039924
9	Pipe (up to serial n.≤ 20099227O0159999 or 20123107O0159999)	20090680
9	Pipe (from serial n. ≥ 20099227O0250001 or 20123107O0250001)	20161310
10	Pipe	20137497
17	Air vent valve	20147535
19	expansion vessel bracket	20125261
25	Condensation drainage syphon	20155759
27	Condensation outlet tube	20025743
34	Degasser kit	20032553
60	Connection	20039953
66	Flexible pipe	R10027545
71	Pipe (up to serial n.≤ 20099227O0159999 or 20123107O0159999)	20025746
73	Cock (up to serial n.≤ 20099227O0159999 or 20123107O0159999)	R10028431
88	Connection	20039954
200	Washer	R5023
288	O-ring	R6898
290	Clip	R2165
302	Washer	R5025
370	O-ring	R10023533
371	Clip	R10023532
432	Clip	R10024958
436	Clip	R10025062
538	Hose clamp	20152306
668	Clip	20019767
682	Clip	20120828
701	Vent plug (up to serial n.≤ 20099227O0159999 or 20123107O0159999)	R10023235
825	NTC Detector	20078350



POS.	DESCRIPTION	29a
3	Integrated fan	20081318
4	Burner	20055216
5	Spark ignition electrode	20025737
9	Clip	20093799
12	Pipe	20025745
13	Gas valve	20039202
14	Gas pipe	20005553
15	3/4" gas cock	R10020897
16	Combustion chamber cover	20005594
17	Gas valve solenoid	20040675
18	Plug	20005550
27	Hole cover	20005586
33	Electrode seal	20025740
34	Protection	20046270
40	Heat exchanger gasket (29kw)	20160020
67	Burner seal (29kw)	20160019
68	Cover	20046266
77	Washer	20025753
79	Flame sensor electrode	20043523
92	Silencer	20025760
200	Washer	R5023
436	Clip	R10025062
613	Ignition transformer	20001563
625	High limit thermostat	20005585
680	Washer	20024869
700	Ng conversion kit (up to serial n.≤ 20099227L4559999 or 20123107L4559999)	20057751
700	Ng conversion kit (from serial n.≥ 20099227L4650001 or 20123107L4650001)	20113104
700	LPG conversion kit (up to serial n.≤ 20099227L4559999 or 20123107L4559999)	20029055
700	Lpg conversion kit (from serial n.≥ 20099227L4650001 or 20123107L4650001)	20113110



POS.	DESCRIPTION	29a
7	Conveyor	20055453
12	Flue drain connection	R10028421
20	Outlet nut	20026049
26	Plug	20026058
67	Drain plug	20000118
75	Flue clector	20026056
370	O ring	R10023533
487	Washer Ø 60	R10026345
552	Washer Ø 60	R10028426
637	Flue sensor	20007050
686	Washer	20026059



POS.	DESCRIPTION	29a
1	Hydraulic control cable	20017596
2	Low tension cable	20113021
3	Combustion cable	20025736
4	Power wiring harness	20101723

Rev	Data	Descrizione
1.0	30/04/2015	Aggiunte trasformazioni gas – Corretto codice vaso espansione
2.0	30/11/2015	E00120150290: tappo degasatore 2 fori – E00120150787: diaframma gas , trasformazioni gas
3.0	10/02/2016	Inserita nuova tavola: gestione disegni cablaggi elettrici – Aggiunta guarnizione bruciatore Aggiornato disegno caldaia copertina – E00120150854: cablaggio bassa tensione
4.0	18/07/2016	Aggiunto codice caldaia gpl – aggiunta molletta fissaggio tappo degasatore Corretto disegno coperchio camera combustione
5.0	06/12/2016	Corrette trasformazioni gas (e gestione matricola) rif. E00120150787 – aggiunta staffa fiss. vaso esp.
6.0	07/02/2017	E00120170040 : Nuovo Brand Vokera by Riello – E00120170020 : Idrometro
7.0	20/07/2017	E00120170407 : coperchio corpo by-pass – E00120170341 : valvola sfogo aria E00120170129 : circolatore
8.0	28/09/2017	Aggiornato disegno raccordo collegam. scambiatore – E00120170441: vaso espansione
9.0	23/01/2018	E00120180036 : mollette su rampe alluminio E00120170542 : idrometro capillare rame – E00120170428 : Rampe alluminio
10.0	20/02/2018	E00120170696 : sifone modifica GAR E00120170611 : scheda modifica GAR (con gestione matricola)
11.0	06/09/2018	E00120180111 : valvola sfogo aria – E00120180510 : traversa sostegno caldaia Aggiunta molletta fissaggio tubo tav.3 pos.538 – E00120180460 : sifone condensa
12.0	10/01/2019	E00120180853 : sfiato aria manuale , cassa aria (con gestione matricola) E00120180694 : guarnizioni bruciatore e coperchio scambiatore



Vokera reserve the right to change the specifications without prior notice.
Consumers' statutory rights are not affected.