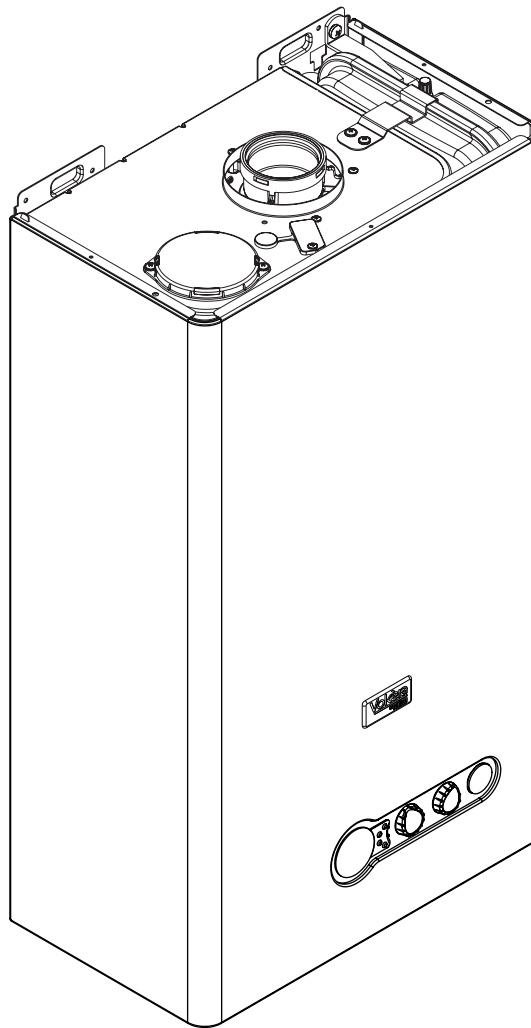
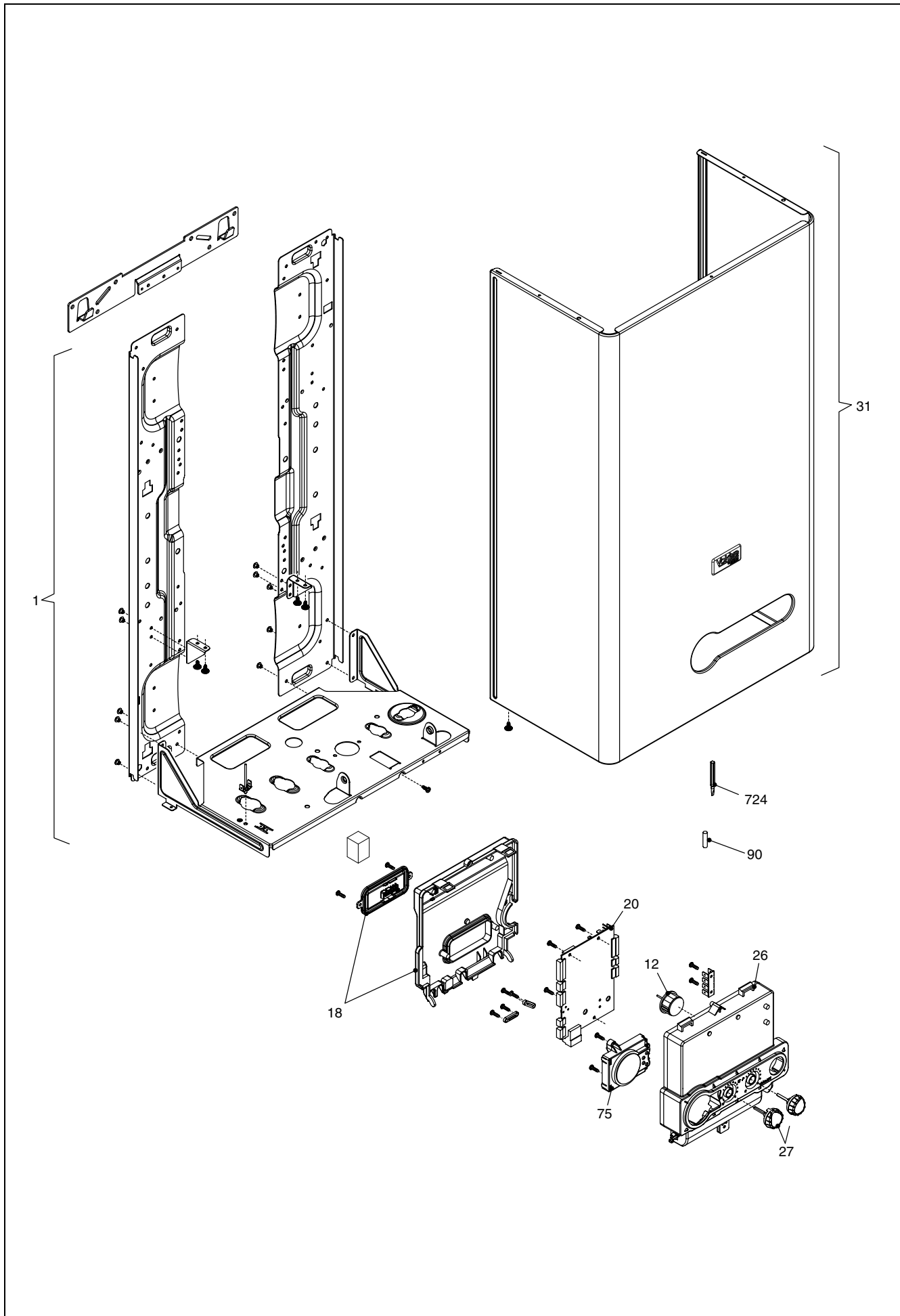


**Wall hung boilers**

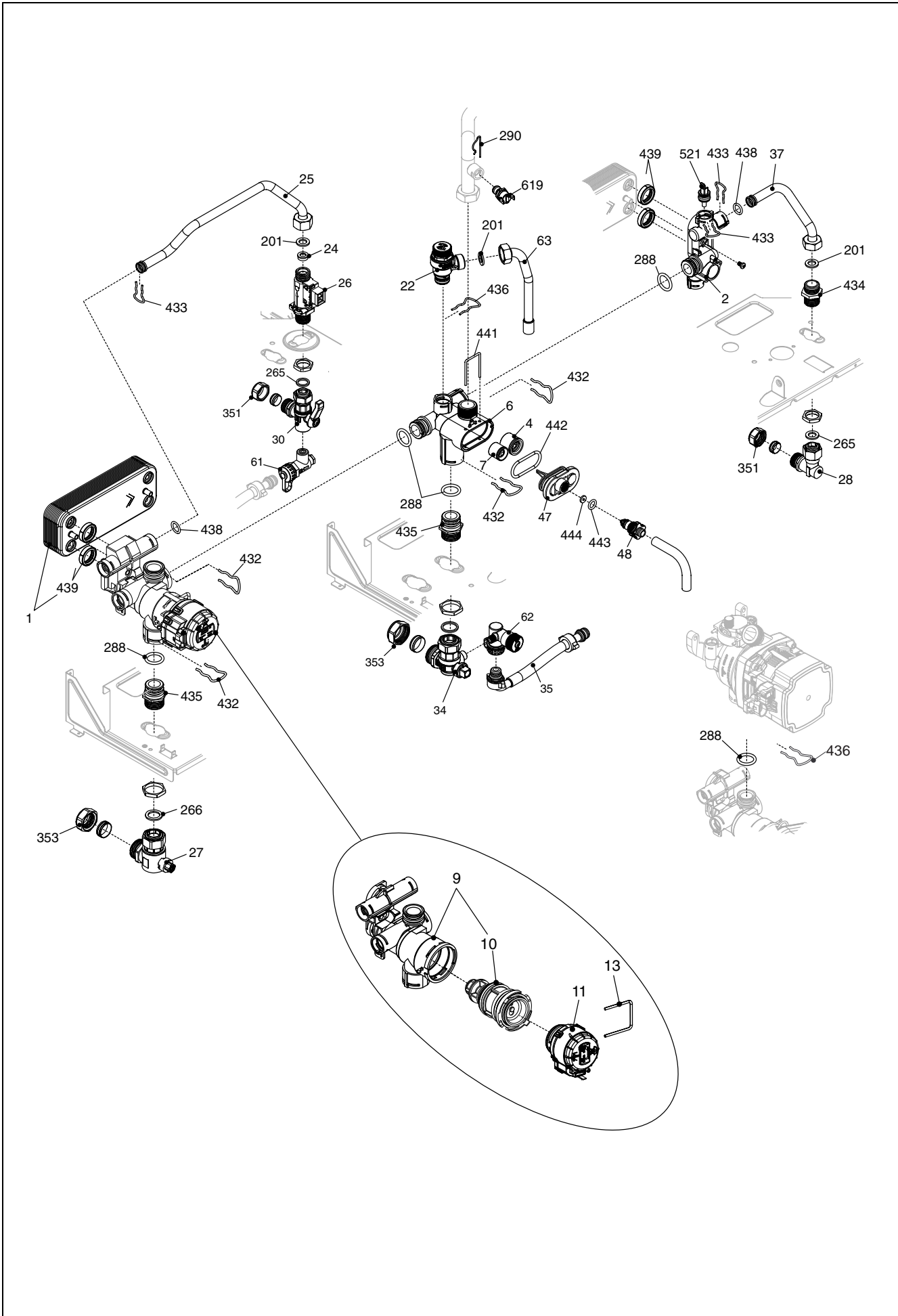
**VISION 25 C**



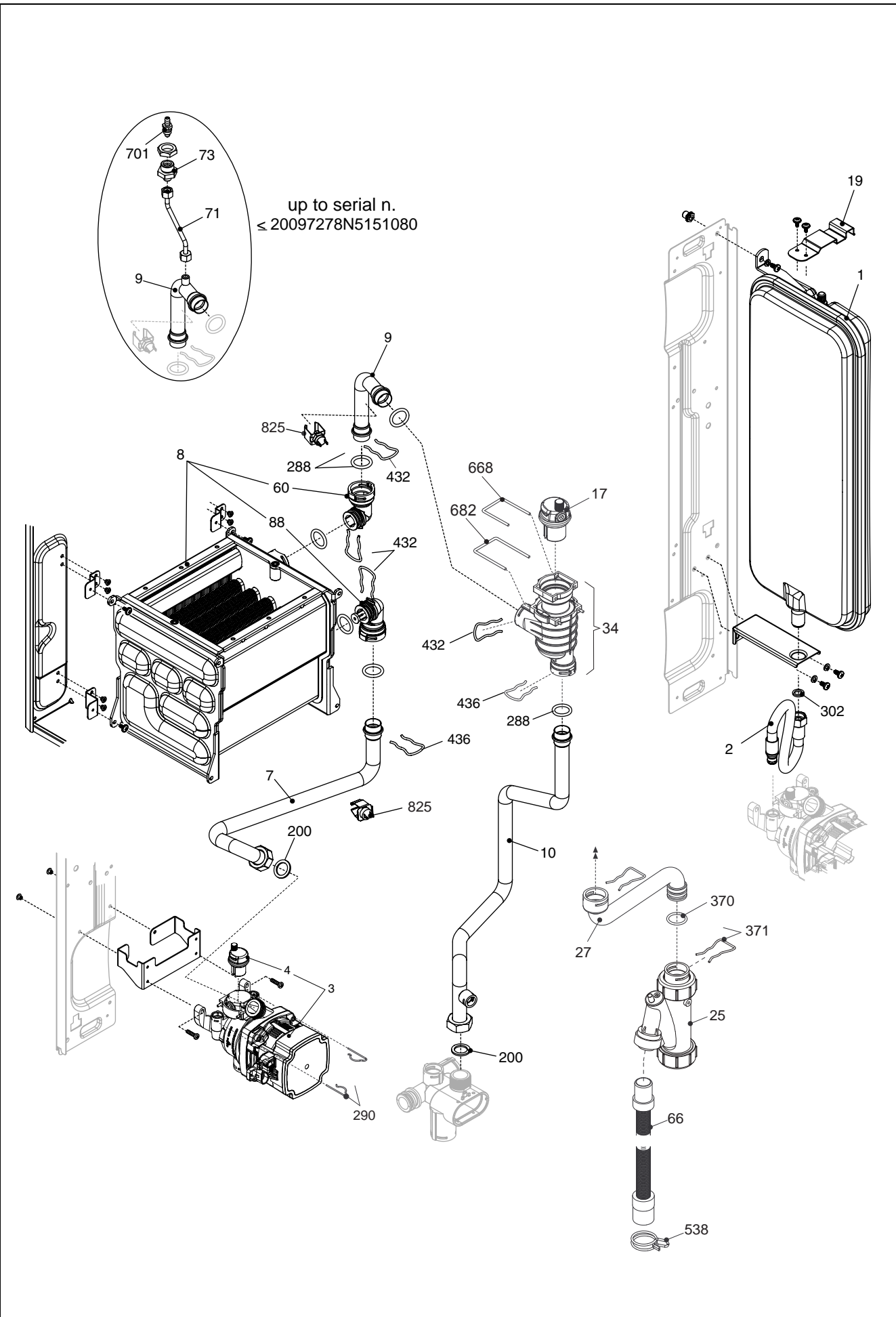
MODEL	PART NUMBER	
	MTN	GPL
Vision 25 C	20097278	-



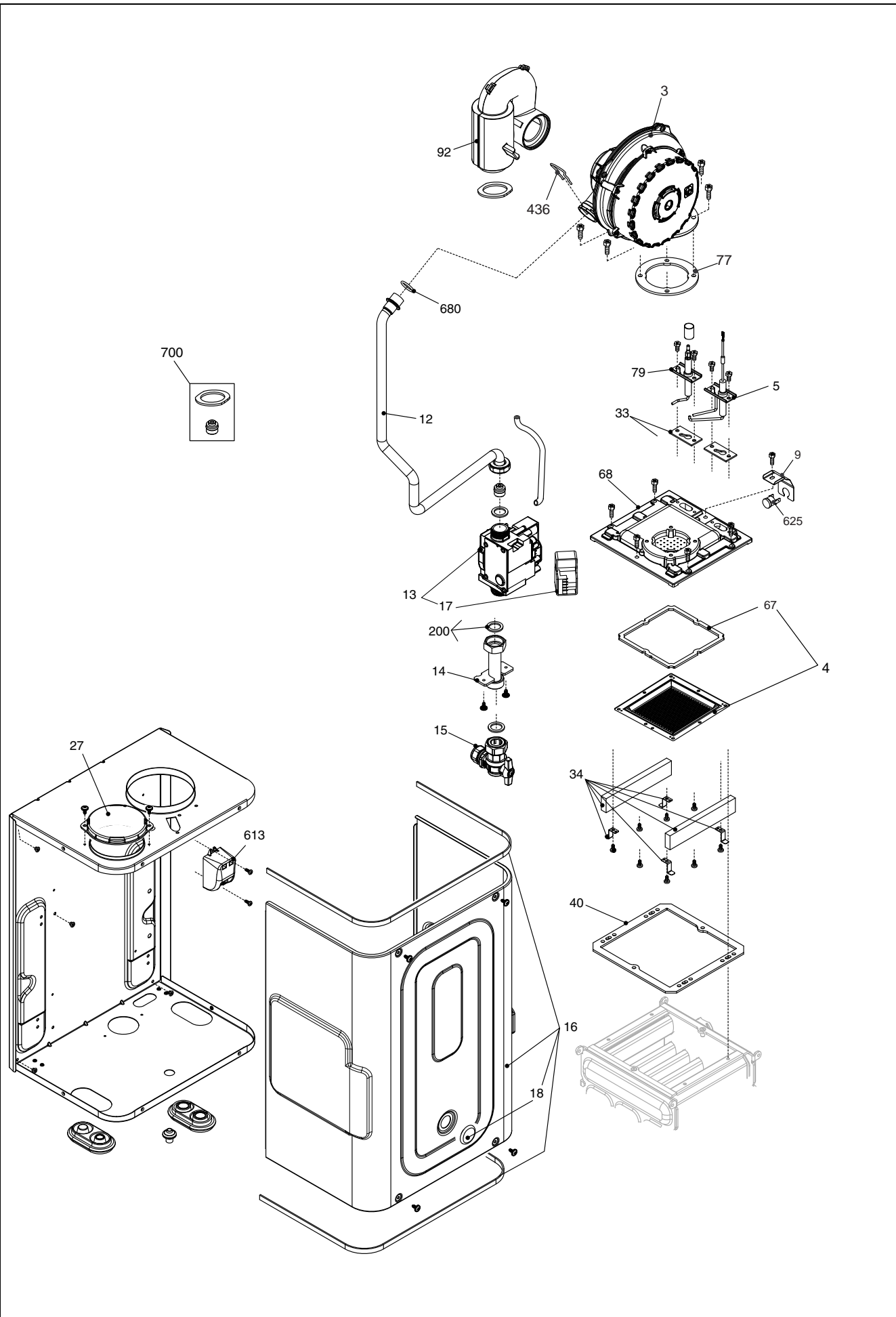
POS.	DESCRIPTION	25c
1	Frame assembly	20049618
12	Quick primer pressure gauge	20049617
18	Cover assembly	20057326
20	Printed circuit board AKL03 (up to serial n. $\leq$ 20097278N0850096)	20069541
20	Printed circuit board (from serial n. $\geq$ 20097278N0850097)	20145176
26	Instrumental panel	20057331
27	Knob	20057330
31	Case Assembly	20132153
75	Main control board	20055455
90	Fuse	R3478
724	Calibration screwdriver	R2455



POS.	DESCRIPTION	25c
1	Exchanger	R8036
2	Connection	R10030114
4	Non return valve	R10025056
6	By-pass casing	R10024641
7	High head by-pass valve	R1552
9	3-way heating manif.+cartridge	20021496
10	Cartridge	20043594
11	Actuator	20017594
13	Clip	20017598
22	Safety valve	20043820
24	Flow governor	R10026043
25	Pipe	20011423
26	Dhw actuator	20073700
27	Heating cock	R1789
28	Connection	R1790
30	Cock	R10023567
34	Cock	R10023566
35	Flexible pipe	R10023570
37	Pipe	R10025840
47	Cover for by-pass assembly	20133375
48	Cock	R10024646
61	Non return valve	R10023569
62	Cock	R10023568
63	Pipe	20025755
201	Washer	R5026
265	Washer	R5236
266	Washer	R5237
288	O ring	R6898
290	Clip	R2165
351	Nut	R1823
353	Nut	R1824
432	Clip	R10024958
433	Clip	R10024986
434	Nipple	R10024985
435	Fitting/union	R10025059
436	Clip	R10025062
438	O ring	R10024988
439	Washer	R10025067
441	Clip	R10025063
442	O ring	R10025065
443	O ring	R10025064
444	Washer	R10025066
521	NTC sensor	R10027351
619	Pressure	20003181

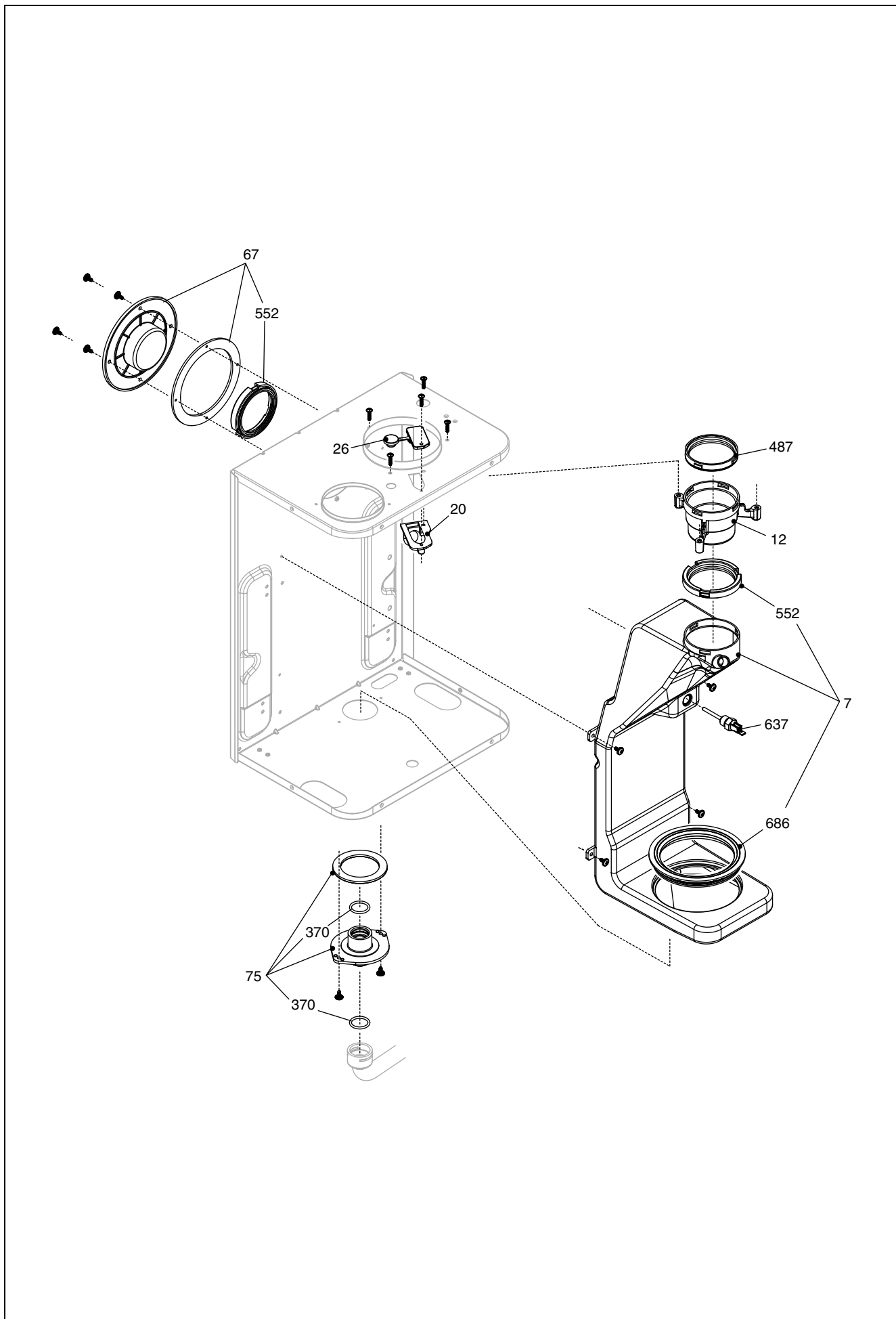


POS.	DESCRIPTION	25c
1	8 lt. expansion vessel	20138101
2	Pipe	R10028603
3	6m. pump	20136316
4	Air vent bottle	R10025485
7	Pipe	20137499
8	Condensing exchanger assembly	20039923
9	Pipe (up to serial n. $\leq$ 20097278N5151080)	20090680
9	Pipe (from serial n. $\geq$ 20097278N5151081)	20161310
10	Pipe	20137497
16	Combustion chamber cover	20005594
17	Air vent valve	20147535
19	expansion vessel bracket	20125261
25	Condensation drainage syphon	20155759
27	Condensation outlet tube	20025743
34	Degasser kit	20032553
60	Connection	20039953
66	Flexible pipe	R10027545
71	Pipe (up to serial n. $\leq$ 20097278N5151080)	20025746
73	Cock (up to serial n. $\leq$ 20097278N5151080)	R10028431
88	Connection	20039954
200	Washer	R5023
288	O-ring	R6898
290	Clip	R2165
302	Washer	R5025
370	O-ring	R10023533
371	Clip	R10023532
432	Clip	R10024958
436	Clip	R10025062
538	Hose clamp	20152306
668	Clip	20019767
682	Clip	20120828
701	Vent plug (up to serial n. $\leq$ 20097278N5151080)	R10023235
825	NTC Detector	20078350

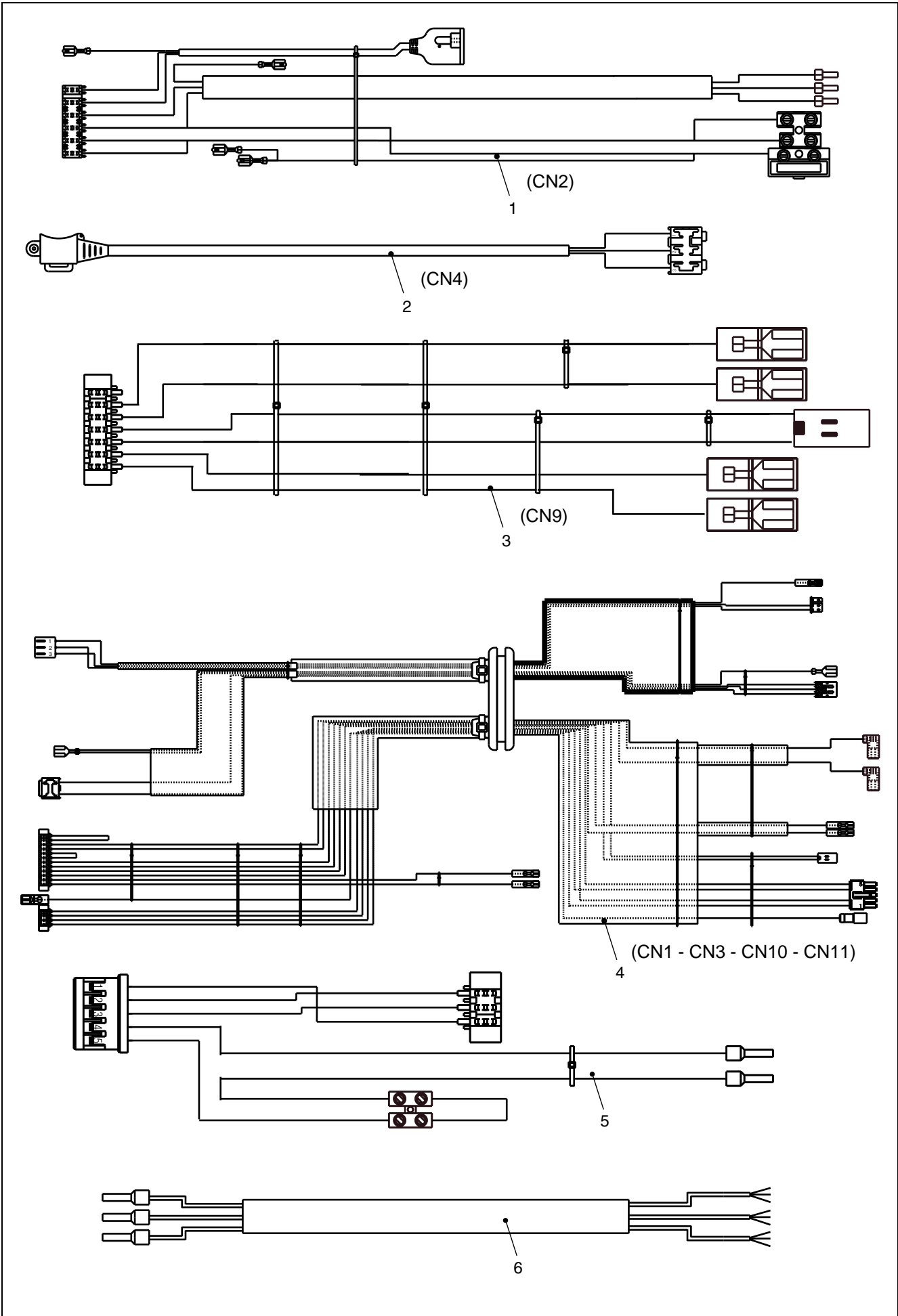




POS.	DESCRIPTION	25c
3	Integrated fan	20081316
5	Spark ignition electrode	20025737
9	Clip	20093799
12	Pipe	20025745
13	Gas valve	20039202
14	Gas pipe	20005553
15	3/4" gas cock	R10020897
17	Gas valve solenoid	20040675
18	Plug	20005550
27	Hole cover	20005586
33	Electrode seal	20025740
34	Protection	20044890
40	Heat exchanger gasket (25kw)	20160018
67	Burner seal (25kw)	20160017
68	Cover	20044895
77	Washer	20025753
79	Flame sensor electrode	20043523
92	Silencer	20025760
200	Washer	R5023
436	Clip	R10025062
613	Ignition transformer	20001563
625	High limit thermostat	20005585
680	Washer	20024869
700	Ng conversion kit	20082915
700	LPG conversion kit	20082917



POS.	DESCRIPTION	25c
7	Conveyor	20055453
12	Flue drain connection	R10028421
20	Outlet nut	20026049
26	Plug	20026058
67	Drain plug	20000118
75	Flue collector	20026056
370	O ring	R10023533
487	Washer Ø 60	R10026345
552	Washer Ø 60	R10028426
637	Flue sensor	20007050
686	Washer	20026059



POS.	DESCRIPTION	25c
1	Power wiring harness	20005572
2	Hydraulic control cable	20017596
3	Low tension cable	20113021
4	Combustion cable	20025736
5	Wiring harness	20057332
6	Cable	R1547

Rev	Data	Descrizione
1.0	30/04/2015	Aggiunte trasformazioni gas – Corretto codice vaso espansione
2.0	08/02/2016	E00120150290 : tappo degas.2 fori – Aggiornato disegno caldaia copertina – Aggiunta guarnizione bruciatore Inserita nuova tavola:gestione disegni cablaggi elettrici – E00120150854: cablaggio bassa tensione
3.0	22/02/2017	aggiunta molletta fissaggio tappo degasatore – aggiunta staffa fissaggio vaso espansione Corretto disegno coperchio camera combustione Aggiornato codice mantello – E00120170040 : Nuovo Brand Vokera by Riello
4.0	19/06/2017	E00120170341 : valvola sfogo aria – E00120170129 : circolatore E00120170020 : idrometro innesto rapido
5.0	20/07/2017	E00120170407 : coperchio corpo by-pass
6.0	28/09/2017	E00120170441 : vaso espansione
7.0	23/01/2018	E00120180036 : mollette su rampe alluminio E00120170542 : idrometro capillare rame – E00120170428 : Rampe alluminio
8.0	27/02/2018	E00120170696 : sifone modifica GAR E00120170611 : scheda modifica GAR (con gestione matricola)
9.0	24/09/2018	Aggiunta molletta fissaggio tubo tav.3 pos.538 – E00120180111 : valvola sfogo aria E00120180510 : traversa sostegno caldaia – E00120180460 : sifone condensa
10.0	11/01/2019	E00120180853 : sfiato aria manuale , cassa aria (con gestione matricola) E00120180694 : guarnizioni bruciatore e coperchio scambiatore




---

Vokera reserve the right to change the specifications without prior notice.  
Consumers' statutory rights are not affected.